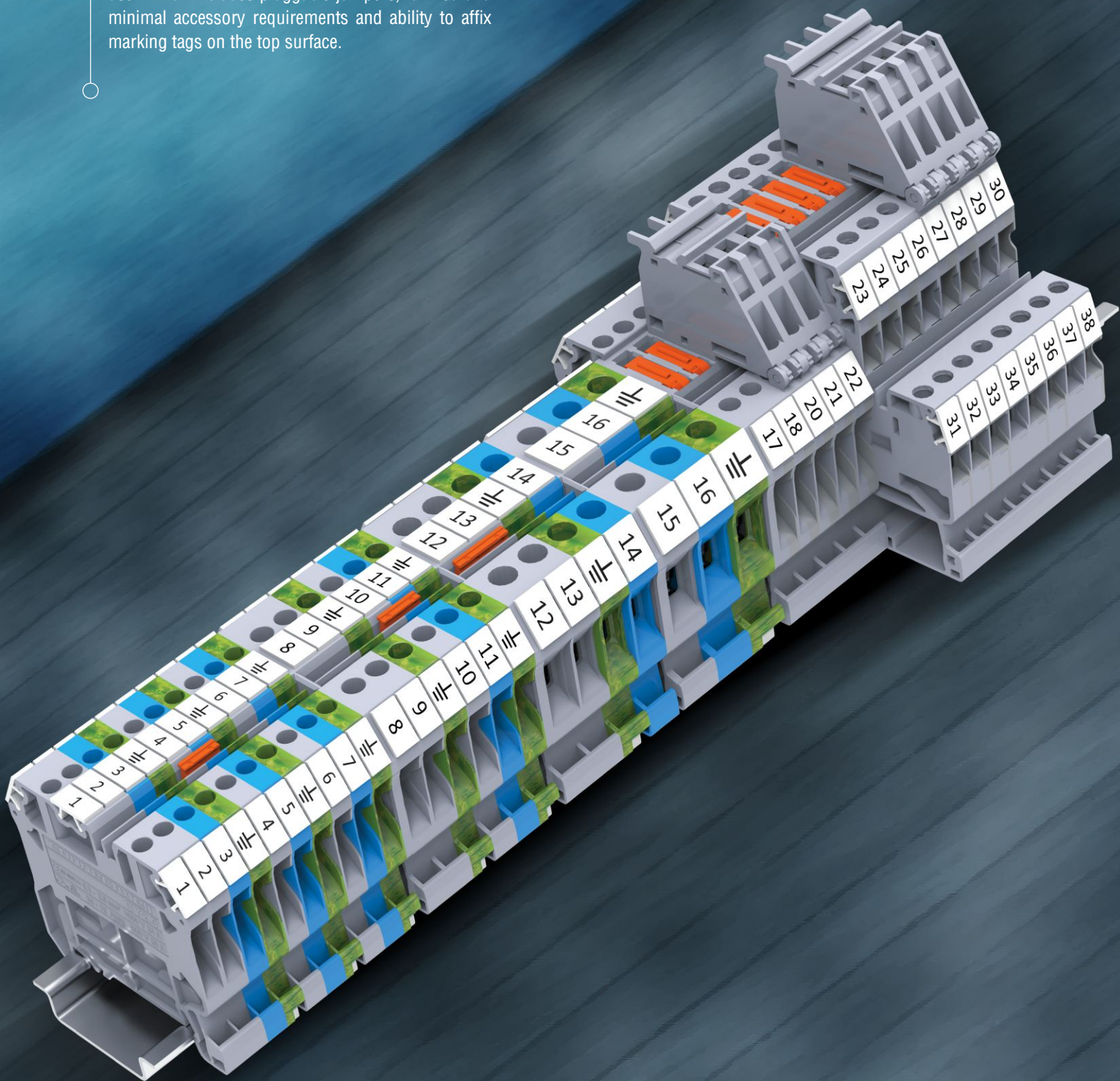


CY SERIES SCREW CLAMP TERMINAL BLOCKS

These next generation Terminal Blocks use the proven & robust Connectwell screw clamp system for the most stringent application requirements. The CY series terminals offer various advantages to the user which includes pluggable jumpers, unified and minimal accessory requirements and ability to affix marking tags on the top surface.

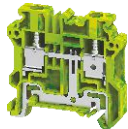


CY SERIES SCREW CLAMP TERMINAL BLOCKS



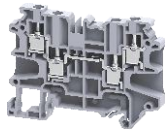
Feed Through

3 - 4



Ground / Earth

5 - 6



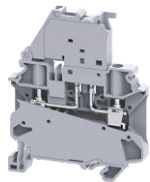
Multiple Connection

7 - 8



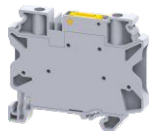
Multiple Level

9 - 12



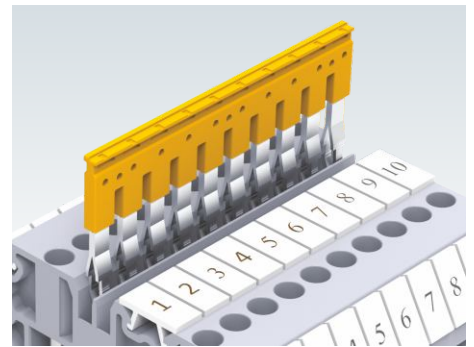
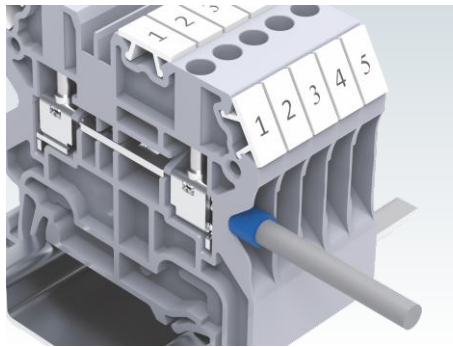
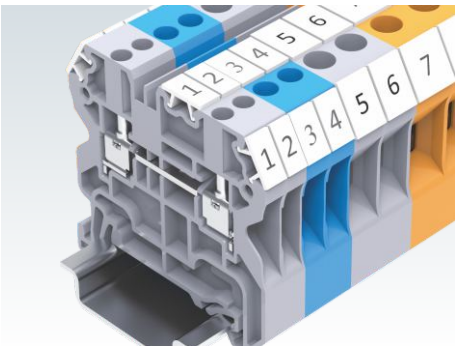
Fuse Terminal

13 - 14



Disconnect & Test

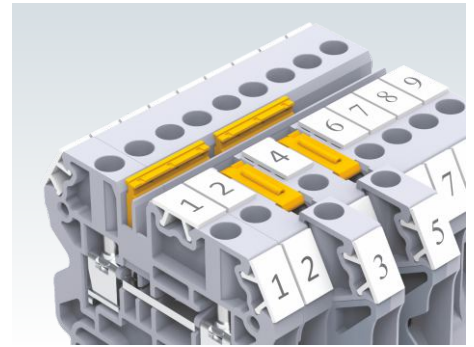
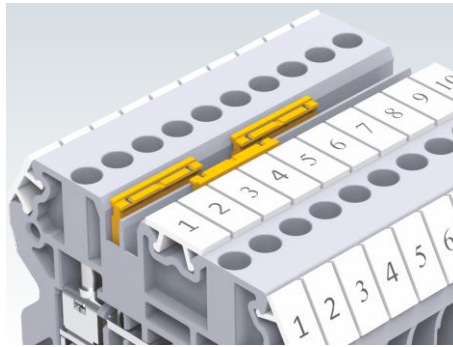
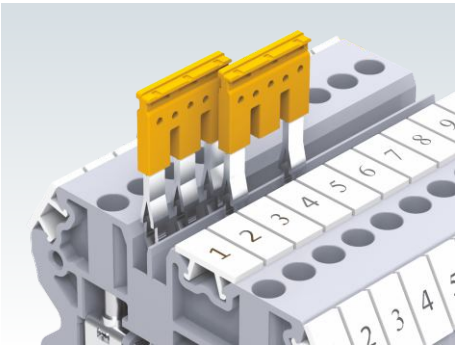
15 - 16



New CY series Terminal Blocks use the proven and robust Connectwell Screw Clamp system. A wide range of feed through terminals are available for wire sizes ranging from 0.2mm² to 10 mm².

A unique design in the plastic housing of the Terminal Block facilitates ease of wire entry. Wires can be used with or without ferrules/Lugs.

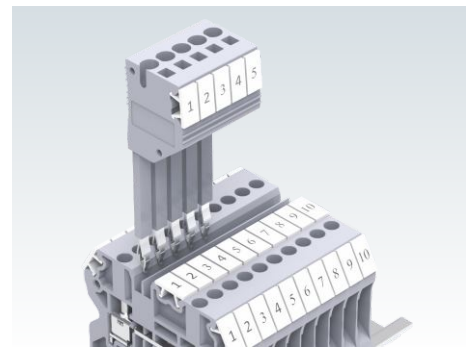
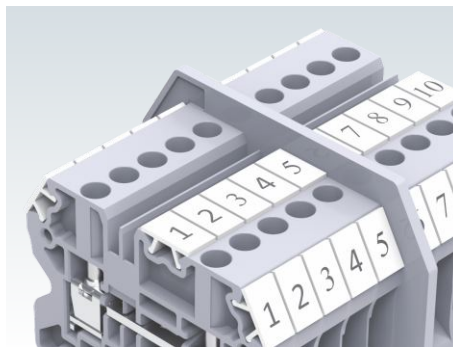
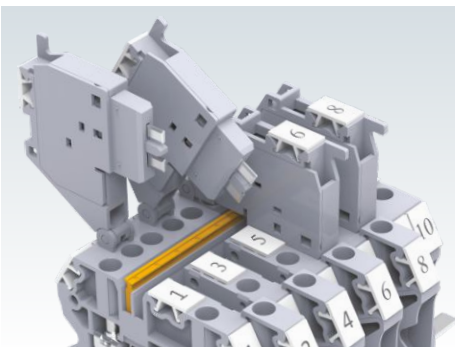
Easy to use push in jumpers for shorting Terminal Blocks are now available in 2,3,4, & 10 pole configuration



Specific Terminal Blocks in an assembly can be shorted by breaking intermediate contacts from the standard jumpers.

The possibility of using 2 independent rows for bridging enables the creation of various circuit combinations. Jumpers can be marked with a felt tip pen on the recess provided on top, to clearly indicate shorted positions.

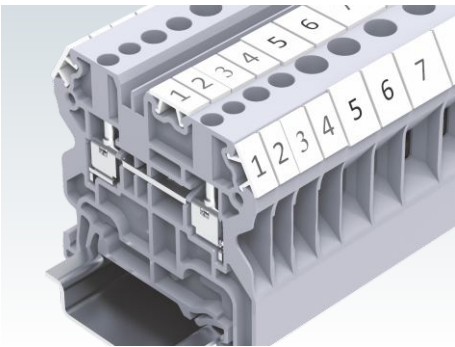
The jumper and marking tag position is aligned across different types of CY series Terminal Blocks. This facilitates shorting and marking adjacent terminals with different functionalities.



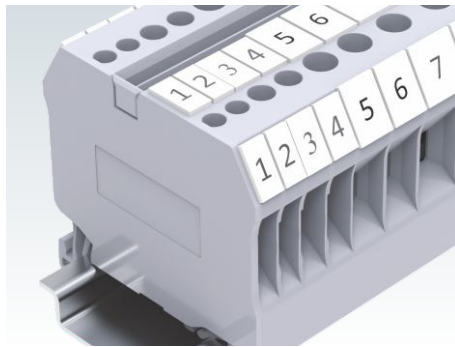
Feed through Terminal Blocks can be simultaneously shorted in an alternating configuration with fuse & Disconnecting Terminal Blocks using pluggable jumpers.

Partition Plates can be individually mounted on Din rails between Terminals Blocks to provide electrical and visual separation.

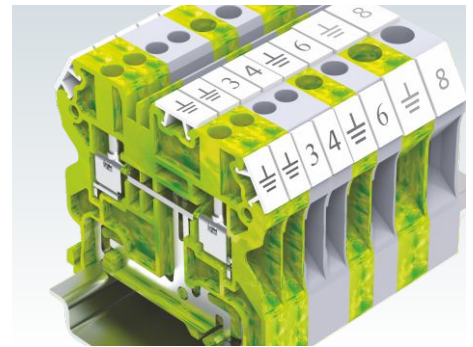
Specially designed Test Plugs are available for CY series Terminal Blocks for quick testing and measurement.



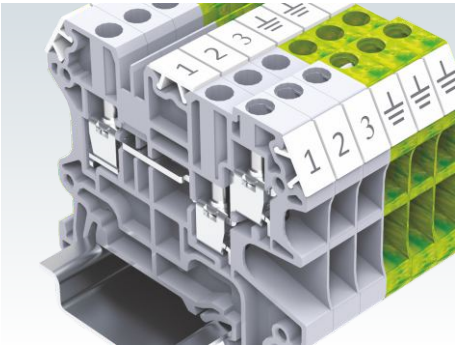
A high torque clamping system on the screw clamp Terminal Blocks ensures safe, gas tight connections. While cold forged, rolled threaded screws ensure highly reliable connections. Standard feed through are of same dimensions with difference in thickness.



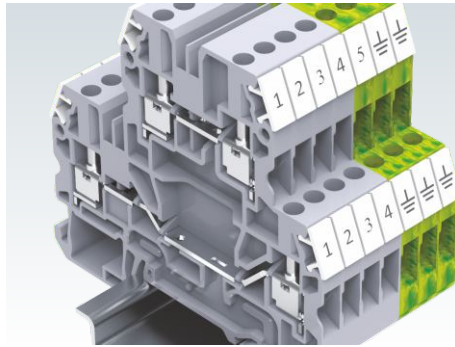
A single end plate can be used for a wide range of feed through terminals.



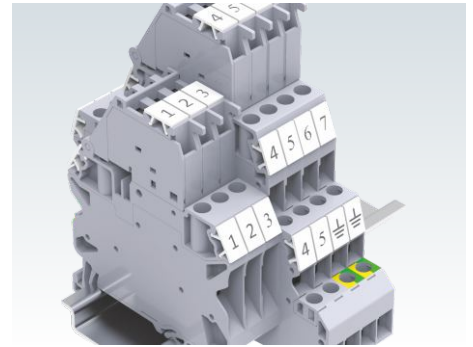
Same profile grounding terminals are clearly identified with a green-yellow housing. Their shape and thickness is identical to the Feed Trough Terminal Blocks



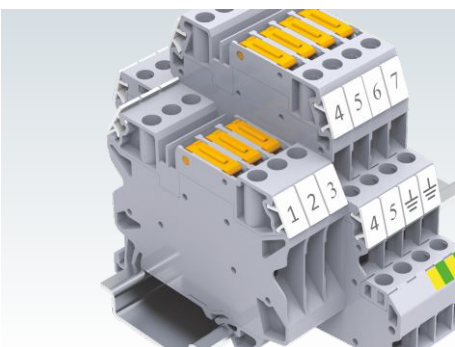
Multi connection Terminal Blocks are used for applications involving more than one same potential wires to be connected.



Double level Terminal Blocks enable high density wiring. Each Level can be independently shorted to suit various applications. These Terminal Blocks are an ideal choice for space saving applications.



These Fuse Terminal Blocks can be used for $\varnothing 5 \times 20$ and $\varnothing 5 \times 25$ cartridge fuses.



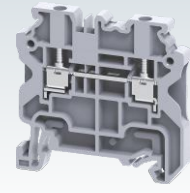
The Screw clamp knife disconnect terminal system enables isolation of circuits. A standard test plug can be used with these Terminal Blocks.

FEED THROUGH TERMINAL BLOCKS

CY series screw clamp Terminal Blocks are the next generation terminals with an improved 1000 V rating as per IEC guidelines. Feed through terminals of different wire sizes have the same outer profile.

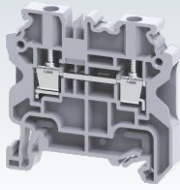
Cross connection of these Terminal Blocks can be done using insulated pluggable jumpers, available in various pole configurations.

CY2.5



Width (Thickness) x Length	5 x 50 mm				
Height with DIN 35 x 7.5 / 35 x 15 mm Rail	49 mm / 56.5 mm				
Connection Possibility as per	IEC		UL - CSA		
With 1 Conductor per clamp	Stranded / Flexible Solid with Ferrule / Lug	0.2 - 2.5 mm ²	24 - 14 AWG		
		0.2 - 4.0 mm ²	24 - 12 AWG		
		0.2 - 2.5 mm ²	24 - 14 AWG		
With 2 same size Conductors per clamp	with TWIN Ferrule / Lug	0.5 - 1.5 mm ²	20 - 16 AWG		
Wire Stripping Length	8 mm				
Ratings As Per	IEC60947-7-1	UL-1059	CSA22.2-158	IEC60079-7	
Voltage	1000 V	600 V	600 V	630 V	
Current	24 A	20 A	20 A	21 A	
Torque	0.4 Nm	4.5 lb.in	4.5 lb.in	0.4 Nm	
Approval					
Insulation Material / Material Group	Polyamide 6,6 / 1				
Rated Impulse Voltage / Pollution Degree	8 KV / 3				
	Type / Cat. No.		Standard Pack		
Terminal Block	Grey		CY2.5		100
	Blue		CY2.5BU		100
	Ground / Earth		CYG2.5 (Refer Pg. 79 for details)		100
End Plate			EPCY2.5/10		50
Partition Plate			PPCY2.5/10		20
Mounting Rail (Refer Pg. 217 for details)			CA701-1M / CA701-1M-S		50 m
			CA701-15-1M / CA701-15-1M-S		25 m
End Clamp (Refer Pg. 218 for details)			CA702 / CA802 / CA103		50
Test Plug			TX2.5		20
Marking Tags (Refer Pg. 222 for details)			CA509/K5WHT		100
Screw Driver			SCS0.5/3 Blade size: 0.5 x 3.0 mm		10
	Type / Cat. No.		Imax	Standard Pack	
Pluggable Jumpers	2 pole		JX2.5/2	24 A	100
	3 pole		JX2.5/3	24 A	50
	4 pole		JX2.5/4	24 A	50
	5 pole		JX2.5/5	24 A	50
	6 pole		JX2.5/6	24 A	10
	7 pole		JX2.5/7	24 A	10
	8 pole		JX2.5/8	24 A	10
	10 pole		JX2.5/10	24 A	10
	Step Down Jumpers				

CY4



6 x 50 mm

49 mm / 56.5 mm

IEC	UL - CSA
0.2 - 4.0 mm ²	24 - 10 AWG
0.2 - 6.0 mm ²	
0.2 - 4.0 mm ²	24 - 12 AWG
0.5 - 2.5 mm ²	20 - 14 AWG

9 mm

IEC60947-7-1	UL-1059	CSA22.2-158	IEC60079-7
1000 V	600 V	600 V	630 V
32 A	30 A	30 A	28 A
0.5 Nm	4.5 lb.in	4.5 lb.in	0.5 Nm



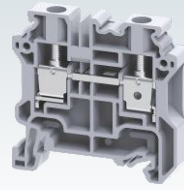
Polyamide 6,6 / 1

8 KV / 3

Type / Cat. No.	Standard Pack
CY4	100
CY4BU	100
CY4G (Refer Pg. 80 for details)	100
EPCY2.5/10	50
PPCY2.5/10	20
CA701-1M / CA701-1M-S	50 m
CA701-15-1M / CA701-15-1M-S	25 m
CA702 / CA802 / CA103	50
CA509/K6WHT	100
SCS0.6/3.5 Blade size: 0.6 x 3.0 mm	10

Type / Cat. No.	I _{max}	Standard Pack
JX4/2	32 A	100
JX4/3	32 A	50
JX4/4	32 A	50
JX4/8	32 A	10
JX4/10	32 A	10

CY6



8 x 50 mm

49 mm / 56.5 mm

IEC	UL - CSA
0.2 - 6.0 mm ²	24 - 8 AWG
0.2 - 10.0 mm ²	
0.2 - 6.0 mm ²	24 - 8 AWG
0.5 - 4.0 mm ²	20 - 12 AWG

10 mm

IEC60947-7-1	UL-1059	CSA22.2-158	IEC60079-7
1000 V	600 V	600 V	630 V
41 A	50 A	50 A	36 A
0.8 Nm	11 lb.in	11 lb.in	0.8 Nm



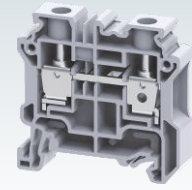
Polyamide 6,6 / 1

8 KV / 3

Type / Cat. No.	Standard Pack
CY6	100
CY6BU	100
CY6G (Refer Pg. 80 for details)	100
EPCY2.5/10	50
PPCY2.5/10	20
CA701-1M / CA701-1M-S	50 m
CA701-15-1M / CA701-15-1M-S	25 m
CA702 / CA802 / CA103	50
CA509/K8WHT	100
SCS0.8/4 Blade size: 0.8 x 4 mm	10

Type / Cat. No.	I _{max}	Standard Pack
JY6/2	35 A	100
JY6/2.5	24 A	20

CY10



10 x 50 mm

49 mm / 56.5 mm

IEC	UL - CSA
0.2 - 10.0 mm ²	24 - 6 AWG
0.2 - 10.0 mm ²	
0.2 - 10.0 mm ²	24 - 6 AWG
0.5 - 6.0 mm ²	

11 mm

IEC60947-7-1	UL-1059	CSA22.2-158	IEC60079-7
1000 V	600 V	600 V	630 V
57 A	65 A	65 A	51 A
1.2 Nm	14 lb.in	14 lb.in	1.2 Nm



Polyamide 6,6 / 1

8 KV / 3



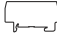





Type / Cat. No.	Standard Pack
CY10	50
CY10BU	50
CY10G (Refer Pg. 80 for details)	50
EPCY2.5/10	50
PPCY2.5/10	20
CA701-1M / CA701-1M-S	50 m
CA701-15-1M / CA701-15-1M-S	25 m
CA702 / CA802 / CA103	50
CA509/K10WHT	100
SCS0.8/4 Blade size: 0.8 x 4 mm	10

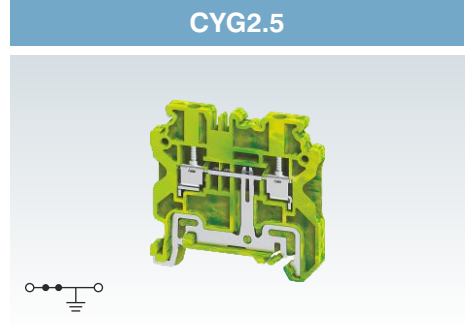
Type / Cat. No.	I _{max}	Standard Pack
JY10/2	45 A	20
JY10/2.5	24 A	20

GROUND / EARTH TERMINAL BLOCKS

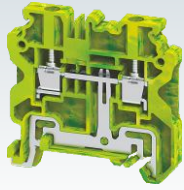
CYG series are earthing Terminal Blocks with specially designed alloy feet which help in achieving very low contact resistance and vibration proof grounding with the DIN rails. They are green / yellow colour coded as per industry standards.

Cross connection of these Terminal Blocks can be done using standard pluggable jumpers.

Width (Thickness) x Length		5 x 50 mm			
Height with DIN 35 x 7.5 / 35 x 15 mm Rail		49 mm / 56.5 mm			
Connection Possibility as per		IEC	UL - CSA		
With 1 Conductor per clamp	Stranded / Flexible	0.2 - 2.5 mm ²	24 - 14 AWG		
	Solid	0.2 - 4.0 mm ²	24 - 12 AWG		
	with Ferrule / Lug	0.2 - 2.5 mm ²	24 - 14 AWG		
With 2 same size Conductors per clamp	with TWIN Ferrule / Lug	0.5 - 1.5 mm ²	20 - 16 AWG		
Wire Stripping Length		8 mm			
Ratings As Per		IEC60947-2	UL-1059 CSA22.2-158 IEC60079-7		
Torque		0.4 Nm	4.5 lb.in 4.5 lb.in 0.4 Nm		
Approval					
Insulation Material / Material Group		Polyamide 6,6 / 1			
Rated Impulse Voltage / Pollution Degree		8 KV / 3			
		Type / Cat. No.	Standard Pack		
Terminal Block		CYG2.5	100		
End Plate 		EPCY2.5/10	50		
Partition Plate 		PPCY2.5/10	20		
Mounting Rail (Refer Pg. 217 for details) 		CA701-1M / CA701-1M-S	50 m		
		CA701-15-1M / CA701-15-1M-S	25 m		
End Clamp (Refer Pg. 218 for details) 		CA702 / CA802 / CA103	50		
Test Plug		TX2.5	20		
Marking Tags (Refer Pg. 222 for details) 		CA509/K5WHT	100		
Screw Driver 		SCS0.5/3	Blade size: 0.5 x 3.0 mm 10		
Jumpers		Type / Cat. No.	Imax	Standard Pack	
Pluggable Jumpers 	2 pole	JX2.5/2	24 A	100	
	3 pole	JX2.5/3	24 A	50	
	4 pole	JX2.5/4	24 A	50	
	5 pole	JX2.5/5	24 A	50	
	6 pole	JX2.5/6	24 A	10	
	7 pole	JX2.5/7	24 A	10	
	8 pole	JX2.5/8	24 A	10	
	10 pole	JX2.5/10	24 A	10	
	Step Down Jumpers				



CYG4



6 x 50 mm

49 mm / 56.5 mm

IEC UL - CSA

0.2 - 4.0 mm² 24 - 10 AWG

0.2 - 6.0 mm²

0.2 - 4.0 mm² 24 - 12 AWG

0.5 - 2.5 mm² 20 - 14 AWG

9 mm

IEC60947-7-2 UL-1059 CSA22.2-158 IEC60079-7

0.5 Nm 4.5 lb.in 4.5 lb.in 0.5 Nm



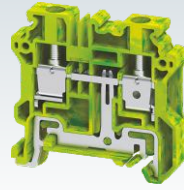
Polyamide 6,6 / 1

8 KV / 3

Type / Cat. No.	Standard Pack
CYG4	100
EPCY2.5/10	50
PPCY2.5/10	20
CA701-1M / CA701-1M-S	50 m
CA701-15-1M / CA701-15-1M-S	25 m
CA702 / CA802 / CA103	50
CA509/K6WHT	100
SCS0.6/3.5 Blade size: 0.6 x 3.5 mm	10

Type / Cat. No.	I _{max}	Standard Pack
JX4/2	32 A	100
JX4/3	32 A	50
JX4/4	32 A	50
JX4/8	32 A	10
JX4/10	32 A	10

CYG6



8 x 50 mm

49 mm / 56.5 mm

IEC UL - CSA

0.2 - 6.0 mm² 24 - 8 AWG

0.2 - 10.0 mm²

0.2 - 6.0 mm² 24 - 8 AWG

0.5 - 4.0 mm² 20 - 12 AWG

10 mm

IEC60947-7-2 UL-1059 CSA22.2-158 IEC60079-7

0.8 Nm 11 lb.in 11 lb.in 0.8 Nm



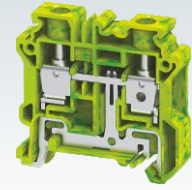
Polyamide 6,6 / 1

8 KV / 3

Type / Cat. No.	Standard Pack
CYG6	100
EPCY2.5/10	50
PPCY2.5/10	20
CA701-1M / CA701-1M-S	50 m
CA701-15-1M / CA701-15-1M-S	25 m
CA702 / CA802 / CA103	50
CA509/K8WHT	100
SCS0.8/4 Blade size: 0.8 x 4 mm	10

Type / Cat. No.	I _{max}	Standard Pack
JY6/2	35 A	100
JYS6/2.5	24 A	20

CYG10



10 x 50 mm

49 mm / 56.5 mm

IEC UL - CSA

0.2 - 10.0 mm² 24 - 6 AWG

0.2 - 10.0 mm² 24 - 6 AWG

0.5 - 6.0 mm²

11 mm

IEC60947-7-2 UL-1059 CSA22.2-158 IEC60079-7

1.2 Nm 14 lb.in 14 lb.in 1.2 Nm



Polyamide 6,6 / 1

8 KV / 3

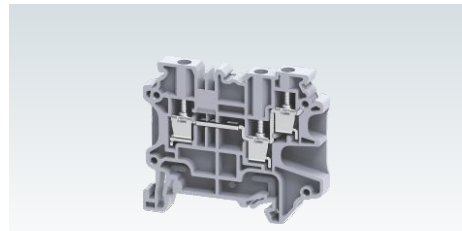
Type / Cat. No.	Standard Pack
CYG10	50
EPCY2.5/10	20
PPCY2.5/10	20
CA701-1M / CA701-1M-S	50 m
CA701-15-1M / CA701-15-1M-S	25 m
CA702 / CA802 / CA103	50
CA509/K10WHT	100
SCS0.8/4 Blade size: 0.8 x 4 mm	10

Type / Cat. No.	I _{max}	Standard Pack
JY10/2	45 A	20
JYS10/2.5	24 A	20

MULTIPLE CONNECTION TERMINAL BLOCKS

CY series multi connect 3 wire & 4 wire screw clamp Terminal Blocks are used to eliminate reliability problems encountered when there is a need to connect multiple wires in a single Terminal Block.

CY4/3

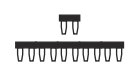


Width (Thickness) x Length	6 x 58.8 mm		
Height with DIN 35 x 7.5 / 35 x 15 mm Rail	50.7 mm / 58.2 mm		
Connection Possibility as per	IEC	UL - CSA	
With 1 Conductor per clamp	Stranded / Flexible	0.2 - 4.0 mm ²	24 - 10 AWG
	Solid with Ferrule / Lug	0.2 - 6.0 mm ²	24 - 12 AWG
With 2 same size Conductors per clamp	with TWIN Ferrule / Lug	0.2 - 4.0 mm ²	24 - 12 AWG
With 2 same size Conductors per clamp	with TWIN Ferrule / Lug	0.5 - 2.5 mm ²	20 - 14 AWG
Wire Stripping Length	9 mm		
Ratings As Per	IEC60947-7-1	UL-1059	CSA22.2-158
Voltage	500 V	150 V	600 V
Current	32 A	30 A	30 A
Torque	0.5 Nm	4.5 lb.in	4.5 lb.in

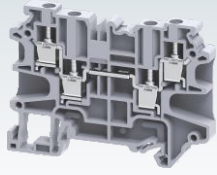
Approval	CE		
Insulation Material / Material Group	Polyamide 6,6 / 1		
Rated Impulse Voltage / Pollution Degree	8 KV / 3		

	Type / Cat. No.	Standard Pack	
Terminal Block	Grey	CY4/3	50
	Blue	CY4/3BU	50
	Ground / Earth	CYG4/3	50
End Plate	EPCY4/3	50	
Mounting Rail (Refer Pg. 217 for details)	CA701-1M / CA701-1M-S	50 m	
	CA701-15-1M / CA701-15-1M-S	25 m	
End Clamp (Refer Pg. 218 for details)	CA702 / CA802 / CA103	50	
Marking Tags (Refer Pg. 222 for details)	CA509/K6WHT	100	
Screw Driver	SCS0.6/3.5 Blade size: 0.6 x 3.5 mm	10	

Jumpers	Type / Cat. No.	I _{max}	Standard Pack	
Pluggable Jumpers	2 pole	JX4/2	32 A	100
	3 pole	JX4/3	32 A	50
	4 pole	JX4/4	32 A	50
	5 pole			
	6 pole			
	7 pole			
	8 pole	JX4/8	32 A	10
	10 pole	JX4/10	32 A	10



CY4/4



6 x 69.7 mm

50.7 mm / 58.2 mm

IEC	UL - CSA
0.2 - 4.0 mm ²	24 - 10 AWG
0.2 - 6.0 mm ²	
0.2 - 4.0 mm ²	24 - 12 AWG
0.5 - 2.5 mm ²	20 - 14 AWG

9 mm

IEC60947-7-1 UL-1059 CSA22.2-158

500 V	150 V	600 V
32 A	30 A	30 A
0.5 Nm	4.5 lb.in	4.5 lb.in



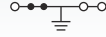
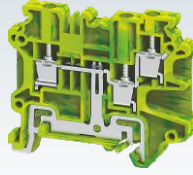
Polyamide 6,6 / 1

8 KV / 3

Type / Cat. No.	Standard Pack
CY4/4	50
CY4/4BU	50
CYG4/4	50
EPCY4/4	50
CA701-1M / CA701-1M-S	50 m
CA701-15-1M / CA701-15-1M-S	25 m
CA702 / CA802 / CA103	50
CA509/K6WHT	100
SCS0.6/3.5 Blade size: 0.6 x 3.5 mm	10

Type / Cat. No.	I _{max}	Standard Pack
JX4/2	32 A	100
JX4/3	32 A	50
JX4/4	32 A	50
JX4/8	32 A	10
JX4/10	32 A	10

CYG4/3



6 x 58.8 mm

50.7 mm / 58.2 mm

IEC	UL - CSA
0.2 - 4.0 mm ²	24 - 10 AWG
0.2 - 6.0 mm ²	
0.2 - 4.0 mm ²	24 - 12 AWG
0.5 - 2.5 mm ²	20 - 14 AWG

9 mm

IEC60947-7-2 UL-1059 CSA22.2-158

500 V	150 V	600 V
32 A	30 A	30 A
0.5 Nm	4.5 lb.in	4.5 lb.in



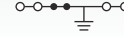
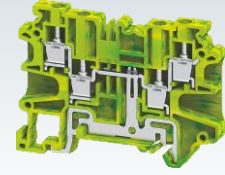
Polyamide 6,6 / 1

8 KV / 3

Type / Cat. No.	Standard Pack
CYG4/3	50
EPCY4/3	50
CA701-1M / CA701-1M-S	50 m
CA701-15-1M / CA701-15-1M-S	25 m
CA702 / CA802 / CA103	50
CA509/K6WHT	100
SCS0.6/3.5 Blade size: 0.6 x 3.5 mm	10

Type / Cat. No.	I _{max}	Standard Pack
JX4/2	32 A	100
JX4/3	32 A	50
JX4/4	32 A	50
JX4/8	32 A	10
JX4/10	32 A	10

CYG4/4



6 x 69.7 mm

50.7 mm / 58.2 mm

IEC	UL - CSA
0.2 - 4.0 mm ²	24 - 10 AWG
0.2 - 6.0 mm ²	
0.2 - 4.0 mm ²	24 - 12 AWG
0.5 - 2.5 mm ²	20 - 14 AWG

9 mm

IEC60947-7-2 UL-1059 CSA22.2-158

500 V	150 V	600 V
32 A	30 A	30 A
0.5 Nm	4.5 lb.in	4.5 lb.in



Polyamide 6,6 / 1

8 KV / 3

Type / Cat. No.	Standard Pack
CYG4/4	50
EPCY4/4	50
CA701-1M / CA701-1M-S	50 m
CA701-15-1M / CA701-15-1M-S	25 m
CA702 / CA802 / CA103	50
CA509/K6WHT	100
SCS0.6/3.5 Blade size: 0.6 x 3.5 mm	10

Type / Cat. No.	I _{max}	Standard Pack
JX4/2	32 A	100
JX4/3	32 A	50
JX4/4	32 A	50
JX4/8	32 A	10
JX4/10	32 A	10

MULTIPLE LEVEL TERMINAL BLOCKS


CYDL2.5 is the next generation compact double level Screw Clamp Terminal Block. This Terminal Block is used in high density wiring applications.

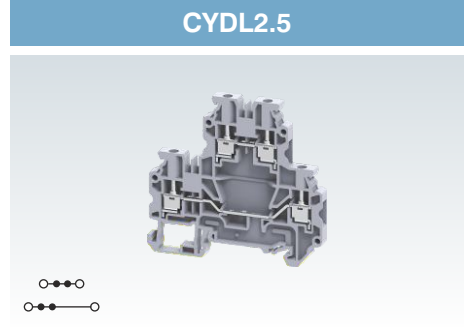
Jumpering is possible at both levels. This Terminal Block is suitable for 1000 V rating.




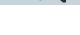


CYDL2.5(I.S) is double level internally shorted screw clamp Terminal Block. This is an ideal choice for distribution application.









CYDLG2.5 is double level Terminal Block with a grounding point for terminating grounding cables on the lower level of the terminal block while the top level is a standard feed through terminal. The earth connection is made by snapping the terminal on the Din rail. This separate connection point is appropriately identified by the green-yellow imprint on its top.

CYDLG2.5(I.S) is double level ground Terminal Block with 4 connection points for grounding wires. It is available in a standard green yellow colour to indicate the grounding connection.

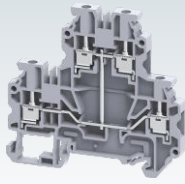
Width (Thickness) x Length		5 x 70.5 mm			
Height with DIN 35 x 7.5 / 35 x 15 mm Rail		65.9 mm / 73.4 mm			
Connection Possibility as per		IEC		UL - CSA	
With 1 Conductor per clamp	Stranded / Flexible	0.2 - 2.5 mm ²	24 - 12 AWG		
	Solid	0.2 - 4.0 mm ²	24 - 10 AWG		
	with Ferrule / Lug	0.2 - 2.5 mm ²	24 - 12 AWG		
With 2 same size Conductors per clamp	with TWIN Ferrule / Lug	0.2 - 1.0 mm ²	24 - 20 AWG		
Wire Stripping Length		8 mm			
Ratings As Per		IEC60947-7-1 UL-1059 CSA22.2-158			
Voltage		500 V	300 V	300 V	
Current		24 A	20 A	20 A	
Torque		0.4 Nm	3.6 lb.in	3.6 lb.in	
Approval					
Insulation Material / Material Group		Polyamide 6,6 / 1			
Rated Impulse Voltage / Pollution Degree		8 KV / 3			



		Type / Cat. No.	Standard Pack
Terminal Block	Grey	CYDL2.5	50
	Blue	CYDL2.5BU	50
	Ground / Earth	CYDLG2.5(I.S)	50
End Plate		EPCYDL2.5/4	50
Mounting Rail (Refer Pg. 217 for details)		CA701-1M / CA701-1M-S	50 m
		CA701-15-1M / CA701-15-1M-S	25 m
End Clamp (Refer Pg. 218 for details)		CA702 / CA802 / CA103	50
Test Plug		TX2.5	20
Marking Tags (Refer Pg. 222 for details)		CA509/K5WHT	100
Screw Driver		SCS0.5/3 Blade size: 0.5 x 3.0 mm	10

Jumpers		Type / Cat. No.	I _{max}	Standard Pack
Pluggable Jumpers		JX2.5/2	24 A	100
		JX2.5/3	24 A	50
		JX2.5/4	24 A	50
		JX2.5/5	24 A	50
		JX2.5/6	24 A	10
		JX2.5/7	24 A	10
		JX2.5/8	24 A	10
		JX2.5/10	24 A	10

CYDL2.5(I.S)



5 x 70.5 mm

65.9 mm / 73.4 mm

IEC	UL - CSA
0.2 - 2.5 mm ²	24 - 12 AWG
0.2 - 4.0 mm ²	24 - 10 AWG
0.2 - 2.5 mm ²	24 - 12 AWG
0.2 - 1.0 mm ²	24 - 20 AWG

8 mm

IEC60947-7-1 UL-1059 CSA22.2-158

500 V	300 V	300 V
24 A	20 A	20 A
0.4 Nm	3.6 lb.in	3.6 lb.in



Polyamide 6,6 / 1

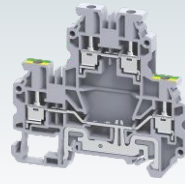
8 KV / 3

Type / Cat. No.	Standard Pack
CYDL2.5(I.S)	50

EPCYDL2.5/4	50
CA701-1M / CA701-1M-S	50 m
CA701-15-1M / CA701-15-1M-S	25 m
CA702 / CA802 / CA103	50
TX2.5	20
CA509/K5WHT	100
SCS0.5/3 Blade size: 0.5 x 3.0 mm	10

Type / Cat. No.	I _{max}	Standard Pack
JX2.5/2	24 A	100
JX2.5/3	24 A	50
JX2.5/4	24 A	50
JX2.5/5	24 A	50
JX2.5/6	24 A	10
JX2.5/7	24 A	10
JX2.5/8	24 A	10
JX2.5/10	24 A	10

CYDLG2.5



5 x 70.5 mm

65.9 mm / 73.4 mm

IEC	UL - CSA
0.2 - 2.5 mm ²	24 - 12 AWG
0.2 - 4.0 mm ²	24 - 10 AWG
0.2 - 2.5 mm ²	24 - 12 AWG
0.2 - 1.0 mm ²	24 - 20 AWG

8 mm

IEC60947-7-1 UL-1059 CSA22.2-158

500 V	300 V	300 V
24 A	20 A	20 A
0.4 Nm	3.6 lb.in	3.6 lb.in



Polyamide 6,6 / 1

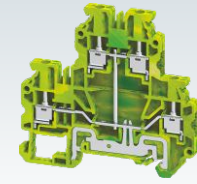
8 KV / 3

Type / Cat. No.	Standard Pack
CYDLG2.5	50

EPCYDL2.5/4	50
CA701-1M / CA701-1M-S	50 m
CA701-15-1M / CA701-15-1M-S	25 m
CA702 / CA802 / CA103	50
TX2.5	20
CA509/K5WHT	100
SCS0.5/3 Blade size: 0.5 x 3.0 mm	10

Type / Cat. No.	I _{max}	Standard Pack
JX2.5/2	24 A	100
JX2.5/3	24 A	50
JX2.5/4	24 A	50
JX2.5/5	24 A	50
JX2.5/6	24 A	10
JX2.5/7	24 A	10
JX2.5/8	24 A	10
JX2.5/10	24 A	10

CYDLG2.5(I.S)



5 x 70.5 mm

65.9 mm / 73.4 mm

IEC	UL - CSA
0.2 - 2.5 mm ²	24 - 12 AWG
0.2 - 4.0 mm ²	24 - 10 AWG
0.2 - 2.5 mm ²	24 - 12 AWG
0.2 - 1.0 mm ²	24 - 20 AWG

8 mm

IEC60947-7-1 UL-1059 CSA22.2-158

500 V	300 V	300 V
24 A	20 A	20 A
0.4 Nm	3.6 lb.in	3.6 lb.in



Polyamide 6,6 / 1

8 KV / 3

Type / Cat. No.	Standard Pack
CYDLG2.5(I.S)	50

EPCYDL2.5/4	50
CA701-1M / CA701-1M-S	50 m
CA701-15-1M / CA701-15-1M-S	25 m
CA702 / CA802 / CA103	50
TX2.5	20
CA509/K5WHT	100
SCS0.5/3 Blade size: 0.5 x 3.0 mm	10

Type / Cat. No.	I _{max}	Standard Pack
JX2.5/2	24 A	100
JX2.5/3	24 A	50
JX2.5/4	24 A	50
JX2.5/5	24 A	50
JX2.5/6	24 A	10
JX2.5/7	24 A	10
JX2.5/8	24 A	10
JX2.5/10	24 A	10

MULTIPLE LEVEL TERMINAL BLOCKS

CYDL4 is the next generation compact double level Screw Clamp Terminal Block. This Terminal Block is used in high density wiring applications.

Interconnections / shorting is possible at both levels. This Terminal Block is suitable for 1000 V rating.

CYDL4(I.S) is double level internally shorted screw clamp Terminal Block. This is an ideal choice for distribution application.

CYDLG4 is double level Terminal Block with a grounding point for terminating grounding cables on the lower level of the terminal block while the top level is a standard feed through terminal. The earth connection is made by snapping the terminal on the Din rail. This separate connection point is appropriately identified by the green-yellow imprint on its top.

CYDLG4(I.S) is double level ground Terminal Block with 4 connection points for grounding wires. It is available in a standard green yellow colour to indicate the grounding connection.

Width (Thickness) x Length	6 x 70.5 mm
----------------------------	-------------

Height with DIN 35 x 7.5 / 35 x 15 mm Rail	65.9 mm / 73.4 mm
--	-------------------

Connection Possibility as per	
-------------------------------	--

With 1 Conductor per clamp	Stranded / Flexible	with TWIN Ferrule / Lug
	Solid	

With 2 same size Conductors per clamp	with TWIN Ferrule / Lug
---------------------------------------	-------------------------

Wire Stripping Length	9 mm
-----------------------	------

Ratings As Per	IEC60947-7-1	UL-1059	CSA22.2-158
----------------	--------------	---------	-------------

Voltage	800 V	300 V	300 V
---------	-------	-------	-------


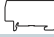




Current	32 A	30 A	30 A
---------	------	------	------

Torque	0.5 Nm	4.5 lb.in	4.5 lb.in
--------	--------	-----------	-----------

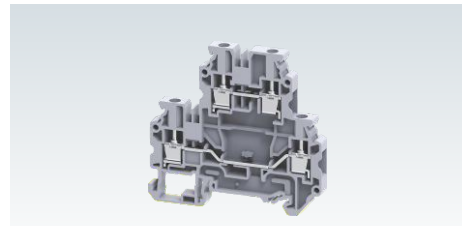
Approval	CE
----------	----

Insulation Material / Material Group	Polyamide 6,6 / 1
--------------------------------------	-------------------

Rated Impulse Voltage / Pollution Degree	8 KV / 3
--	----------

Terminal Block	Grey Blue Ground / Earth
End Plate	
Partition Plate	
Mounting Rail (Refer Pg. 217 for details)	
End Clamp (Refer Pg. 218 for details)	
Marking Tags (Refer Pg. 222 for details)	
Screw Driver	

CYDL4



Width (Thickness) x Length	6 x 70.5 mm
----------------------------	-------------

Height with DIN 35 x 7.5 / 35 x 15 mm Rail	65.9 mm / 73.4 mm
--	-------------------

Connection Possibility as per	
-------------------------------	--

With 1 Conductor per clamp	Stranded / Flexible	with TWIN Ferrule / Lug
	Solid	

With 2 same size Conductors per clamp	with TWIN Ferrule / Lug
---------------------------------------	-------------------------

Wire Stripping Length	9 mm
-----------------------	------

Ratings As Per	IEC60947-7-1	UL-1059	CSA22.2-158
----------------	--------------	---------	-------------

Voltage	800 V	300 V	300 V
---------	-------	-------	-------

Current	32 A	30 A	30 A
---------	------	------	------

Torque	0.5 Nm	4.5 lb.in	4.5 lb.in
--------	--------	-----------	-----------

Approval	CE
----------	----

Insulation Material / Material Group	Polyamide 6,6 / 1
--------------------------------------	-------------------

Rated Impulse Voltage / Pollution Degree	8 KV / 3
--	----------

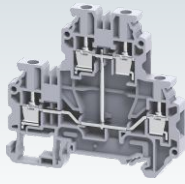
Type / Cat. No.	Standard Pack
CYDL4	50
CYDL4BU	50
CYDLG4(I.S.)	50
EPCYDL2.5/4	50
PPCYDL2.5/4	20
CA701-1M / CA701-1M-S	50 m
CA701-15-1M / CA701-15-1M-S	25 m
CA702 / CA802 / CA103	50
CA509/K6WHT	100
SCS0.6/3.5 Blade size: 0.6 x 3.5 mm	10

Jumpers	
---------	--

Pluggable Jumpers		2 pole
		3 pole
		4 pole
		8 pole
		10 pole

Type / Cat. No.	I _{max}	Standard Pack
JX4/2	32 A	100
JX4/3	32 A	50
JX4/4	32 A	50
JX4/8	32 A	10
JX4/10	32 A	10

CYDL4(I.S)



6 x 70.5 mm

65.9 mm / 73.4 mm

IEC	UL - CSA
0.2 - 4.0 mm ²	24 - 10 AWG
0.2 - 6.0 mm ²	
0.2 - 4.0 mm ²	24 - 12 AWG
0.5 - 2.5 mm ²	20 - 14 AWG

9 mm

IEC60947-7-1 UL-1059 CSA22.2-158

800 V	300 V	300 V
32 A	30 A	30 A
0.5 Nm	4.5 lb.in	4.5 lb.in



Polyamide 6,6 / 1

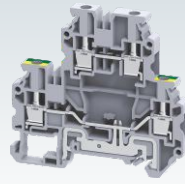
8 KV / 3

Type / Cat. No.	Standard Pack
CYDL4(I.S)	50

EPCYDL2.5/4	50
PPCYDL2.5/4	20
CA701-1M / CA701-1M-S	50 m
CA701-15-1M / CA701-15-1M-S	25 m
CA702 / CA802 / CA103	50
CA509/K6WHT	100
SCS0.6/3.5 Blade size: 0.6 x 3.5 mm	10

Type / Cat. No.	I _{max}	Standard Pack
JX4/2	32 A	100
JX4/3	32 A	50
JX4/4	32 A	50
JX4/8	32 A	10
JX4/10	32 A	10

CYDLG4



6 x 70.5 mm

65.9 mm / 73.4 mm

IEC	UL - CSA
0.2 - 4.0 mm ²	24 - 10 AWG
0.2 - 6.0 mm ²	
0.2 - 4.0 mm ²	24 - 12 AWG
0.5 - 2.5 mm ²	20 - 14 AWG

9 mm

IEC60947-7-1 UL-1059 CSA22.2-158

800 V	300 V	300 V
32 A	30 A	30 A
0.5 Nm	4.5 lb.in	4.5 lb.in



Polyamide 6,6 / 1

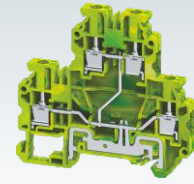
8 KV / 3

Type / Cat. No.	Standard Pack
CYDLG4	50

EPCYDL2.5/4	50
PPCYDL2.5/4	20
CA701-1M / CA701-1M-S	50 m
CA701-15-1M / CA701-15-1M-S	25 m
CA702 / CA802 / CA103	50
CA509/K6WHT	100
SCS0.6/3.5 Blade size: 0.6 x 3.5 mm	10

Type / Cat. No.	I _{max}	Standard Pack
JX4/2	32 A	100
JX4/3	32 A	50
JX4/4	32 A	50
JX4/8	32 A	10
JX4/10	32 A	10

CYDLG4(I.S)



6 x 70.5 mm

65.9 mm / 73.4 mm

IEC	UL - CSA
0.2 - 4.0 mm ²	24 - 10 AWG
0.2 - 6.0 mm ²	
0.2 - 4.0 mm ²	24 - 12 AWG
0.5 - 2.5 mm ²	20 - 14 AWG

9 mm

IEC60947-7-2 UL-1059 CSA22.2-158

800 V	300 V	300 V
32 A	30 A	30 A
0.5 Nm	4.5 lb.in	4.5 lb.in



Polyamide 6,6 / 1

8 KV / 3

Type / Cat. No.	Standard Pack
CYDLG4(I.S)	50

EPCYDL2.5/4	50
PPCYDL2.5/4	20
CA701-1M / CA701-1M-S	50 m
CA701-15-1M / CA701-15-1M-S	25 m
CA702 / CA802 / CA103	50
CA509/K6WHT	100
SCS0.6/3.5 Blade size: 0.6 x 3.5 mm	10

Type / Cat. No.	I _{max}	Standard Pack
JX4/2	32 A	100
JX4/3	32 A	50
JX4/4	32 A	50
JX4/8	32 A	10
JX4/10	32 A	10

FUSE TERMINAL BLOCKS

These Terminal Blocks are used in electrical and control systems which require fuse protection.

CYF4 series fuse terminals have a thickness of 6 mm with a provision for using pluggable Jumpers. These Terminal Blocks are completely closed type and do not need separate end plate.

CYDLF4 terminal has an additional feed through connection level.

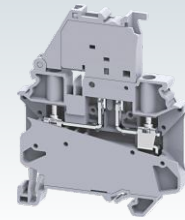
CYDLGF4 terminal has a feed through connection level along with ground connection point in addition to a standard hinged fuse carrier.

CYDL4FT terminal has a feed through system on both levels.

CYDLGF4FT has two feed through levels and an additional ground connection point.

CYDLF4LR is modified version of CYDLF4 where two equi-potential connection joints are available on both side of the Terminal Block.

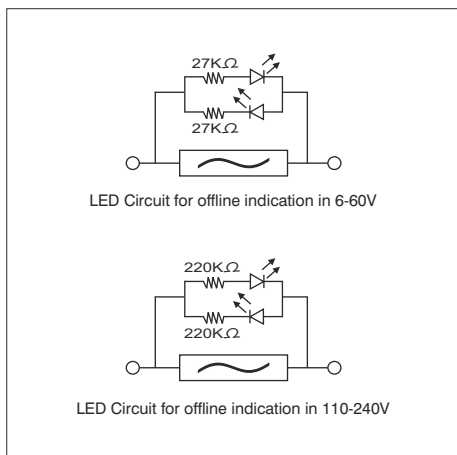
CYF4



Width (Thickness) x Length	6 x 58.8 mm		
Height with DIN 35 x 7.5 / 35 x 15 / 32 mm Rail	72.4 mm / 79.9 mm		
Connection Possibility as per	IEC	UL - CSA	
With 1 Conductor per clamp	Stranded / Flexible	0.2 - 4.0 mm ²	24 - 10 AWG
	Solid with Ferrule / Lug	0.2 - 6.0 mm ²	24 - 12 AWG
With 2 same size Conductors per clamp	Stranded / Flexible	0.2 - 4.0 mm ²	24 - 16 AWG
	with TWIN Ferrule / Lug	0.5 - 2.5 mm ²	20 - 14 AWG
Wire Stripping Length	9 mm		
Ratings As Per	IEC60947-7-3	UL-1059	CSA22.2-158
Voltage	1000 V	600 V	600 V
Current	10 A	10 A	10 A
Fuse Level Feed Through Level			
Torque	0.5 Nm	4.5 lb-in	4.5 lb-in
Approvals			
Insulation Material / Material Group	Polyamide 6,6 / 1		
Rated Impulse Voltage / Pollution Degree	6 kV / 3		
Fuse Size	Ø5 x 20 mm		

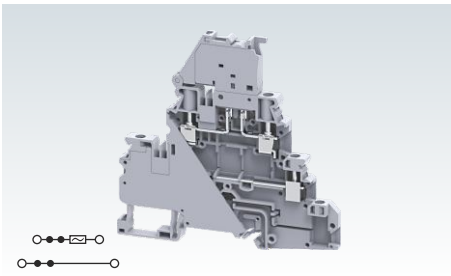
Type / Cat. No.	Standard Pack
CYF4	50
CYF4BU	50
CYF4BK	50
CYF4L6-60V	50
CYF4L110-240V	50
CA701-1M / CA701-1M-S	50 m
CA701-15-1M / CA701-15-1M-S	25 m
CA702 / CA802	50
CA509/K6WHT	100
SCS0.6/3.5 Blade size: 0.6 x 3.5 mm	10

Jumpers	Type / Cat. No.	I _{max}	Standard Pack
Pluggable Jumpers	JX4/2	32 A	100
	JX4/3	32 A	50
	JX4/4	32 A	50
	JX4/8	32 A	10
	JX4/10	32 A	10



Terminal Block	Grey Blue Black
Fuse, Feed Through & Ground Variant	With LED for 6 - 60 V AC/DC With LED for 110 - 240 V AC/DC Feed Through Variant Feed Through Variant with Ground
Mounting Rail (Refer Pg. 217 for details)	
End Clamp (Refer Pg. 218 for details)	
Marking Tags	
Screw Driver	

CYDLF4



6 x 94.5 mm
90.9 mm / 98.4 mm

IEC	UL - CSA
0.2 - 4.0 mm ²	24 - 10 AWG
0.2 - 6.0 mm ²	
0.2 - 4.0 mm ²	24 - 12 AWG
0.2 - 1.5 mm ²	24 - 16 AWG
0.5 - 2.5 mm ²	20 - 14 AWG

9 mm

IEC60947-7-3 UL-1059

500 V	300 V		
10 A	10 A		
32 A	30 A		

0.5 Nm	4.5 lb-in		



Polyamide 6,6 / 1

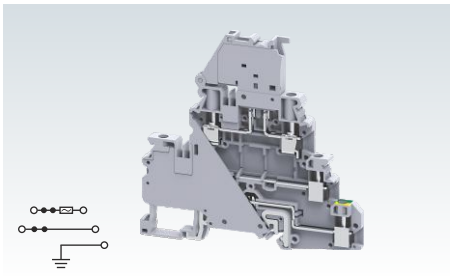
6 KV / 3

Ø5 x 20 mm

Type / Cat. No.	Standard Pack
CYDLF4	50
CYDLF4L6-60V	50
CYDLF4L110-240V	50
CYDLF4FT	50
CYDLFG4FT	50
CA701-1M / CA701-1M-S	50 m
CA701-15-1M / CA701-15-1M-S	25 m
CA702 / CA802 / CA202	50
CA509/K6WHT	100
SCS0.6/3.5 Blade size: 0.6 x 3.5 mm	10

Type / Cat. No.	I _{max}	Standard Pack
JX4/2	32 A	100
JX4/3	32 A	50
JX4/4	32 A	50
JX4/8	32 A	10
JX4/10	32 A	10

CYDLGF4



6 x 94.5 mm
90.9 mm / 98.4 mm

IEC	UL - CSA
0.2 - 4.0 mm ²	24 - 10 AWG
0.2 - 6.0 mm ²	
0.2 - 4.0 mm ²	24 - 12 AWG
0.2 - 1.5 mm ²	24 - 16 AWG
0.5 - 2.5 mm ²	20 - 14 AWG

9 mm

IEC60947-7-3 UL-1059

500 V	300 V		
10 A	10 A		
32 A	30 A		

0.5 Nm	4.5 lb-in		



Polyamide 6,6 / 1

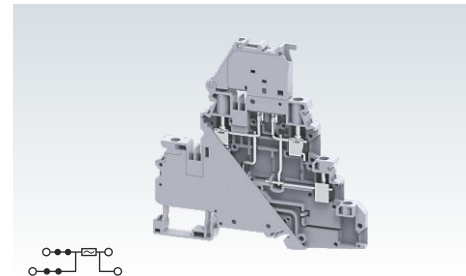
6 KV / 3

Ø5 x 20 mm

Type / Cat. No.	Standard Pack
CYDLGF4	50
CYDLGF4L6-60V	50
CYDLGF4L110-240V	50
CYDLGF4FT	50
CYDLFG4FT	50
CA701-1M / CA701-1M-S	50 m
CA701-15-1M / CA701-15-1M-S	25 m
CA702 / CA802 / CA202	50
CA509/K6WHT	100
SCS0.6/3.5 Blade size: 0.6 x 3.5 mm	10

Type / Cat. No.	I _{max}	Standard Pack
JX4/2	32 A	100
JX4/3	32 A	50
JX4/4	32 A	50
JX4/8	32 A	10
JX4/10	32 A	10

CYDLF4LR



6 x 94.5 mm
67.6 mm / 75.1 mm

IEC	UL - CSA
0.2 - 4.0 mm ²	24 - 10 AWG
0.2 - 6.0 mm ²	
0.2 - 4.0 mm ²	24 - 12 AWG
0.2 - 1.5 mm ²	24 - 16 AWG
0.5 - 2.5 mm ²	24 - 14 AWG

9 mm

IEC60947-7-1 UL-1059

630 V	300 V		
10 A	10 A		

0.5 Nm	4.5 lb-in		



Polyamide 6,6 / 1

6 KV / 3

Ø5 x 20 mm

Type / Cat. No.	Standard Pack
CYDLF4LR	50
CYDLGF4LR	50
CYDLF4LRL6-60V	50
CYDLF4LRL110-240V	50
CYDLF4FT	50
CYDLFG4FT	50
CA701-1M / CA701-1M-S	50 m
CA701-15-1M / CA701-15-1M-S	25 m
CA702 / CA802 / CA202	50
CA509/K6WHT	100
SCS0.6/3.5 Blade size: 0.6 x 3.5 mm	10

Type / Cat. No.	I _{max}	Standard Pack
JX4/2	32 A	100
JX4/3	32 A	50
JX4/4	32 A	50
JX4/8	32 A	50
JX4/10	32 A	10

DISCONNECT & TEST TERMINAL BLOCKS

These blocks are used for measuring, control and regulatory circuits.

In CYK4 terminals, disconnection is achieved by lifting a lever which operates the knife contact.

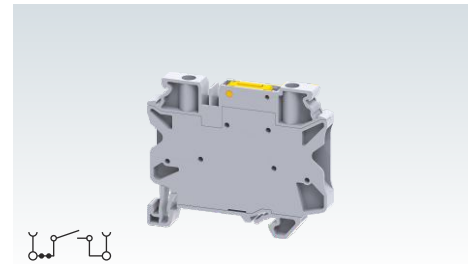
Specially designed socket headed screws act as test monitoring points in these Terminal Blocks.

Standard JX series push in jumpers can be used for interconnection.

CYDLK4 terminal is a double level disconnect Terminal Block with knife contact disconnect function at the top level and a feed through at the bottom level.

In the CYDLGK4 terminal, a grounding wire connection point is available in addition to the feed through and disconnect functionality.

CYK4

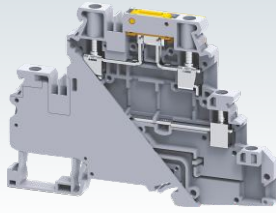


Width (Thickness) x Length		6 x 58.8 mm	
Height with DIN 35 x 7.5 / 35 x 15		51.5 mm / 56.6 mm	
Connection Possibility as per		IEC	UL - CSA
With 1 Conductor per clamp	Stranded / Flexible	0.2 - 4.0 mm ²	24 - 10 AWG
	Solid	0.2 - 6.0 mm ²	
With 2 same size Conductors per clamp	with Ferrule / Lug	0.2 - 4.0 mm ²	24 - 12 AWG
	Stranded / Flexible with TWIN Ferrule / Lug	0.2 - 1.5 mm ²	24 - 16 AWG
Wire Stripping Length		10 mm	
Ratings As Per		IEC60947-7-1	UL-1059
Voltage		1000 V	600 V
Current		28 A	26 A
Disconnecting Level			
Feed Through Level			
Torque		0.5 Nm	4.5 lb-in
Approvals			
Insulation Material / Material Group		Polyamide 6,6 / 1	
Rated Impulse Voltage / Pollution Degree		6 KV / 3	
		Type / Cat. No.	Standard Pack
Terminal Block		CYK4	50
		CYK4BU	50
Feed Through Version		CY4	100
Mounting Rail (Refer Pg. 217 for details)		CA701-1M / CA701-1M-S	50 m
		CA701-15-1M / CA701-15-1M-S	25 m
End Clamp (Refer Pg. 218 for details)		CA702 / CA802	50
Marking Tags (Refer Pg. 222 for details)		CA509/K6WHT	100
Screw Driver		SCS0.6/3.5	Blade size: 0.6 x 3.5 mm
			10

Jumpers		Type / Cat. No.	I _{max}	Standard Pack
Pluggable Jumpers		JX4/2	32 A	100
		JX4/3	32 A	50
		JX4/4	32 A	50
		JX4/8	32 A	50
		JX4/10	32 A	10

* Shorting link current should not exceed more than Terminal Block current rating

CYDLK4



6 x 94.5 mm

67.6 mm / 75.1 mm

IEC	UL - CSA
0.2 - 4.0 mm ²	24 - 10 AWG
0.2 - 6.0 mm ²	
0.2 - 4.0 mm ²	24 - 12 AWG
0.2 - 1.5 mm ²	24 - 16 AWG
0.5 - 2.5 mm ²	20 - 14 AWG

9 mm

IEC60947-7-1 UL-1059

630 V	300 V		
20 A	16 A		
32 A	30 A		

0.5 Nm	4.5 lb-in		



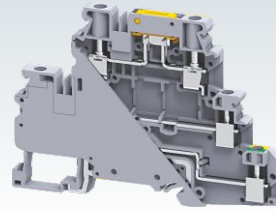
Polyamide 6,6 / 1

6 KV / 3

Type / Cat. No.	Standard Pack
CYDLK4	50
CYDLK4BU	50
CYDLF4FT	50
CA701-1M / CA701-1M-S	50 m
CA701-15-1M / CA701-15-1M-S	25 m
CA702 / CA802 / CA202	50
CA509/K6WHT	100
SCS0.6/3.5 Blade size: 0.6 x 3.5 mm	10

Type / Cat. No.	I _{max}	Standard Pack
JX4/2	32 A	100
JX4/3	32 A	50
JX4/4	32 A	50
JX4/8	32 A	50
JX4/10	32 A	10

CYDLGK4



6 x 94.5 mm

67.6 mm / 75.1 mm

IEC	UL - CSA
0.2 - 4.0 mm ²	24 - 10 AWG
0.2 - 6.0 mm ²	
0.2 - 4.0 mm ²	24 - 12 AWG
0.2 - 1.5 mm ²	24 - 12 AWG
0.5 - 2.5 mm ²	24 - 14 AWG

9 mm

IEC60947-7-1 UL-1059

630 V	300 V		
20 A	16 A		
32 A	30 A		

0.5 Nm	4.5 lb-in		



Polyamide 6,6 / 1

6 KV / 3

Type / Cat. No.	Standard Pack
CYDLGK4	50
CYDLGK4BU	50
CYDLF4FT	50
CA701-1M / CA701-1M-S	50 m
CA701-15-1M / CA701-15-1M-S	25 m
CA702 / CA802 / CA202	50
CA509/K6WHT	100
SCS0.6/3.5 Blade size: 0.6 x 3.5 mm	10

Type / Cat. No.	I _{max}	Standard Pack
JX4/2	32 A	100
JX4/3	32 A	50
JX4/4	32 A	50
JX4/8	32 A	50
JX4/10	32 A	10

CONNECTWELL INDUSTRIES PVT. LTD.

D7, PHASE 2, MIDC, DOMBIVLI (E),
MAHARASHTRA, INDIA - 421204.

TEL.: + 91 251 7120 600 / 6762 600

FAX : + 91 251 7120 700

connect@connectwell.com

connectwell.com