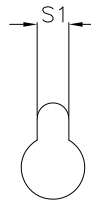
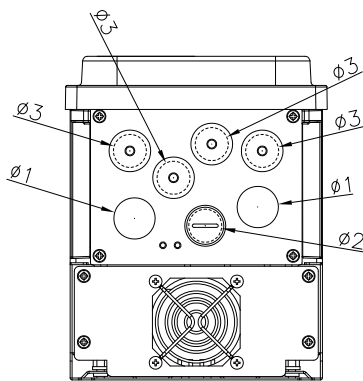
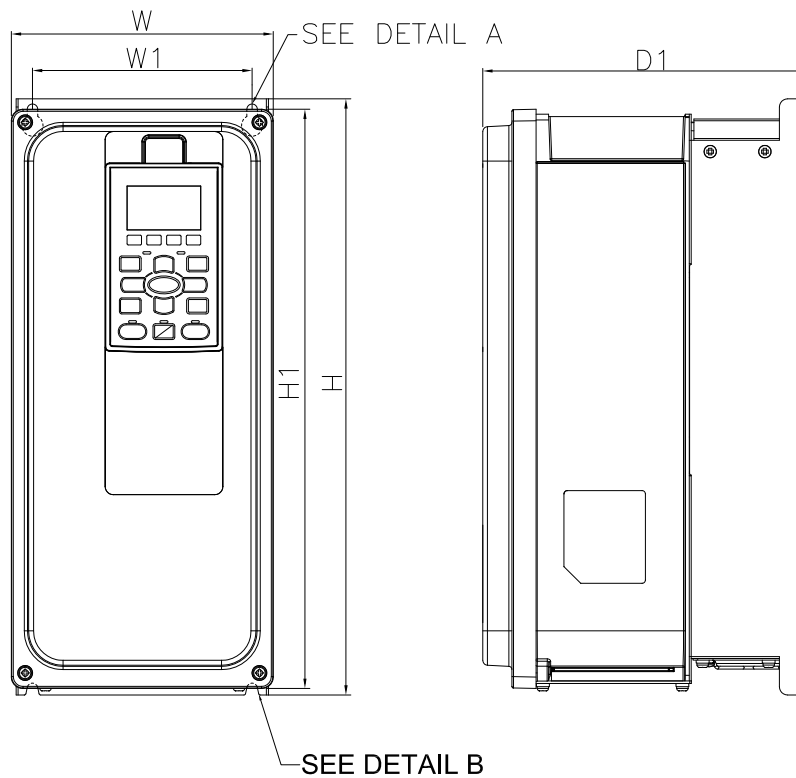
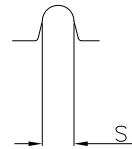


DRAWING_1



DETAIL A
(MOUNTING HOLE)



DETAIL B
(MOUNTING HOLE)

Frame		W	W1	H	H1	D	D1	S1	$\phi 1$	$\phi 2$	$\phi 3$
A-1	mm	161.0	135.0	366.4	356.0	—	199.0	6.5	25.4	20.3	20.3
	inch	6.34	5.31	14.43	14.02	—	7.83	0.26	1.00	0.80	0.80



合達電子工業股份有限公司

DELTA ELECTRONICS, INC.

THESE DRAWINGS AND SPECIFICATIONS ARE THE PROPERTY OF DELTA ELECTRONICS, INC. AND SHALL NOT BE REPRODUCED OR USED AS THE BASIS FOR THE MANUFACTURE OR SELL OF APPARATUSES OR DEVICES WITHOUT PERMISSION.

DOCUMENT NAME

VFD-CFP-A-PD