

■ Datasheet: MAIN LOAD SWITCH - DISCONNECTOR



■ SCHRACK-INFO

- fulfill the requirements of the isolating function in open position
- Terminal cross-section: 1-50mm²
- snap-on mounting for DIN rail EN 50 022
- VDE-certificate

■ Technical datas

Standards:	IEC/EN 60947-3
Rated voltage (AC):	230/400-240/415V
Rated frequency (AC):	50/60Hz
Rated current I _e :	32 A, 64 A, 100 A, 125 A
Rated short-time withstand current I _{cw} :	12 I _e , 1s
Rated making and breaking capacity:	3 I _e , 1,05U _e , cos φ
Rated short circuit making capacity:	20 I _e , t=0,1s
Utilization category	AC-22A
Rated impulse withstand voltage (1,2/50) U _{imp}	4kV
Dielectric test voltage at ind. Freq. for 5 s.	2kV
Insulation voltage U _i :	500V
Polution degree	2
Electrical endurance:	> 1.500 operating cycles
Mechanical endurance:	> 8.500 operating cycles
Protection degree	IP 20

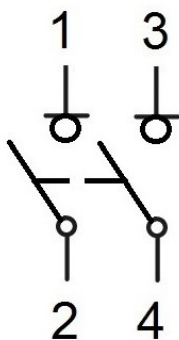
Ambient temperature:	-25 °C to +55 °C AA7 according EN 60364-5-51
Storage temperature:	-25 °C to +70 °C
Terminal connection type	Cable/U-type busbar / Pin-type busbar
Connection	From top and bottom
Terminal cross-section:	2,5 - 50mm ²
Conductors:	copper, stranded or flexible with ferule
Terminal tightening torque:	2.5 Nm
Terminal size for busbar	35mm ²
Mounting:	on DIN rail EN 60715 (35mm) by means of fast clip device

■ Wiring diagram:

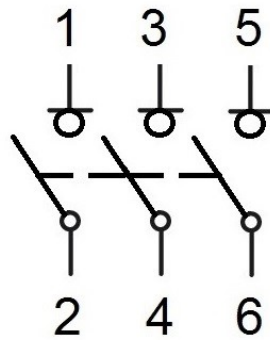
1-pole



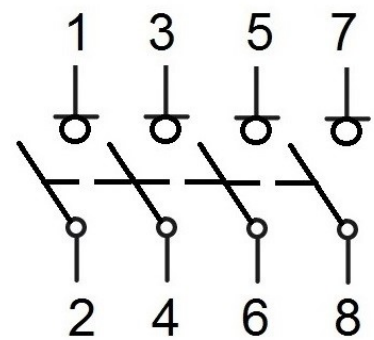
2-pole



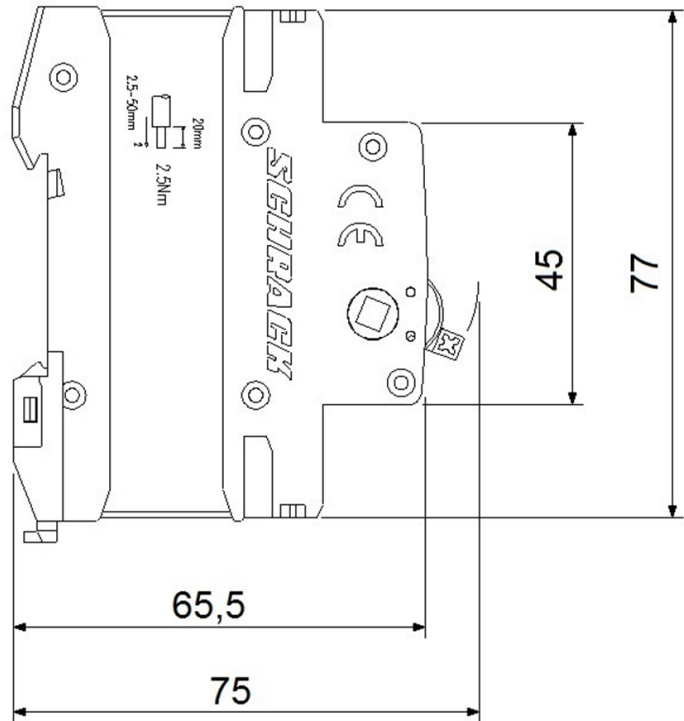
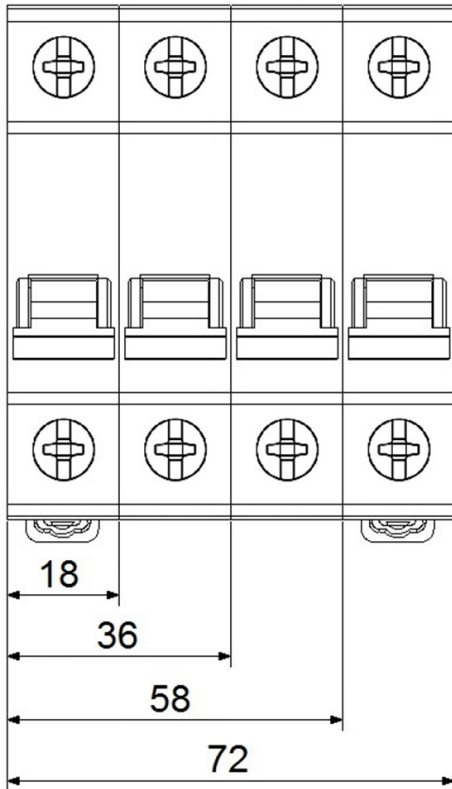
3-pole



4-pole



Dimensions



 Articles

Main Load-Break Switch (Isolator) series AMPARO 32A

Description	order no.
Main Load-Break Switch (Isolator) 32A, 1-pol	AZ200241--
Main Load-Break Switch (Isolator) 32A, 2-pol	AZ200242--
Main Load-Break Switch (Isolator) 32A, 3-pol	AZ200243--
Main Load-Break Switch (Isolator) 32A, 4-pol	AZ200244--

Main Load-Break Switch (Isolator) series AMPARO 63A

Description	order no.
Main Load-Break Switch (Isolator) 63A, 1-pol	AZ200261--
Main Load-Break Switch (Isolator) 63A, 2-pol	AZ200262--
Main Load-Break Switch (Isolator) 63A, 3-pol	AZ200263--
Main Load-Break Switch (Isolator) 63A, 4-pol	AZ200264--

Main Load-Break Switch (Isolator) series AMPARO 100A

Description	order no.
Main Load-Break Switch (Isolator) 100A, 1-pol	AZ200201--
Main Load-Break Switch (Isolator) 100A, 2-pol	AZ200202--
Main Load-Break Switch (Isolator) 100A, 3-pol	AZ200203--
Main Load-Break Switch (Isolator) 100A, 4-pol	AZ200204--

Main Load-Break Switch (Isolator) series AMPARO 125A

Description	order no.
Main Load-Break Switch (Isolator) 125A, 1-pol	AZ200221--
Main Load-Break Switch (Isolator) 125A, 2-pol	AZ200222--
Main Load-Break Switch (Isolator) 125A, 3-pol	AZ200223--
Main Load-Break Switch (Isolator) 125A, 4-pol	AZ200224--